

PADPROX-EH

MULTI-PROTOCOL KEYPAD READER
WITH INTEGRATED RFID READER



INTERNAL AND EXTERNAL USE



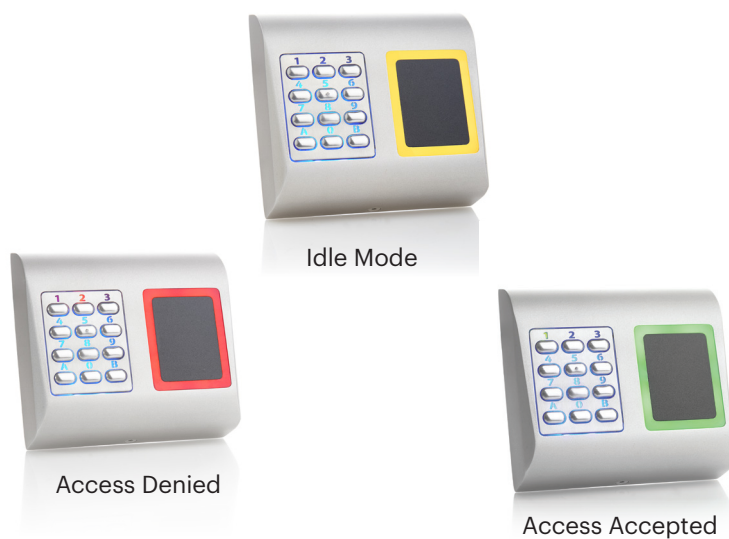
bx Black Edition

Product available in Black ABS

FEATURES

- Surface Mount keypad with integrated RFID
- Housing: moulded aluminium/ABS
- Authentication: Card, PIN Code, Card or/and PIN Code
- RFID reading type: EM 4002/4100 compatible and HID (125 kHz) compatible
- Wiegand 24, 26, 30, 32, 34, 35, 37, 40, 42, 56, 58, 4/6/8 bits burst for key; Clock & Data, Codix
- PIN Code Length: 1 to 8 digits
- Reading distance: Up to 5 cm
- Backlight control - Red, Green, Orange controlled by master device
- Buzzer: Yes
- Tamper: Yes
- Compatibility with XPR Control Panels: EWS, SC24000
- Power Supply: 9-14 V DC
- Consumption: 100 mA max.
- IP rating: IP65
- Operating Temperature: -15°C to +60°C

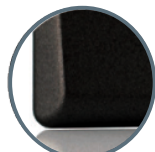
LEDs STATUS



VERSIONS

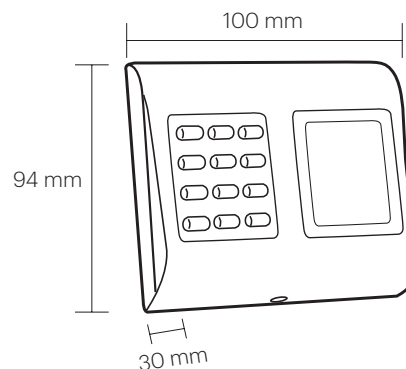


PADPROXS-EH
Silver - Metal

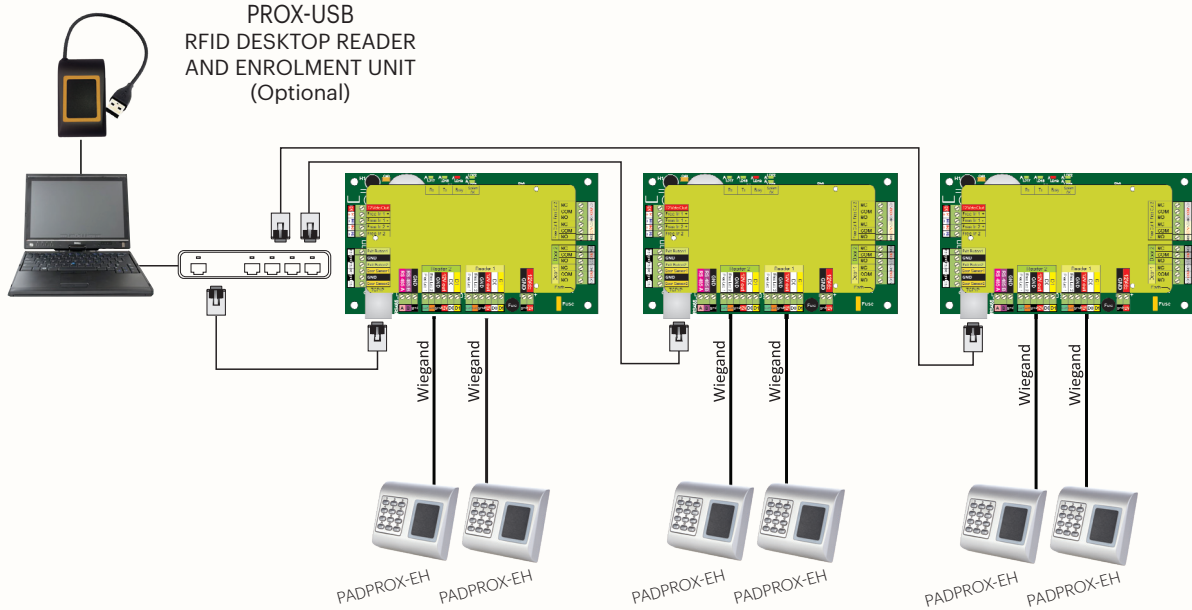


PADPROXBK-EH
Black- ABS

DIMENSIONS



— EWSI CONTROLLER - ARCHITECTURE —



— PROS CS SOFTWARE —

- Client-Server Software that allows multiple users to connect to the server PC.
- User-Friendly Windows Interface for simple programming, management and control of installations.



More info about the software on:
<http://www.xprgroup.com/products/pros-cs/>

— FOBS & CARDS —



Ref.	PBX-1E	PBX-1C	PBX-2	PBX-2C
Features	ABS Keyfob EM4100	Leather Keyfob EM4100	0.75 mm ISO Card - EM4100	2 mm NISO Card - EM4100

All product specifications are subject to change without notice.