

# BIOPROX-EH

SURFACE MOUNT BIOMETRY AND RFID  
READER WITH WIEGAND OUTPUT

BIOPROX-EH is a Wiegand biometric and RFID reader for access control applications with programmable Wiegand output. It offers storage of up to 9500 fingerprints, it reads EM4002/4100 and HID 125 kHz compatible cards/tags and has a programmable Wiegand output (8 to 128 bits).

Management of the reader is integrated in our access control software PROS CS.

For integration with other systems, we provide:

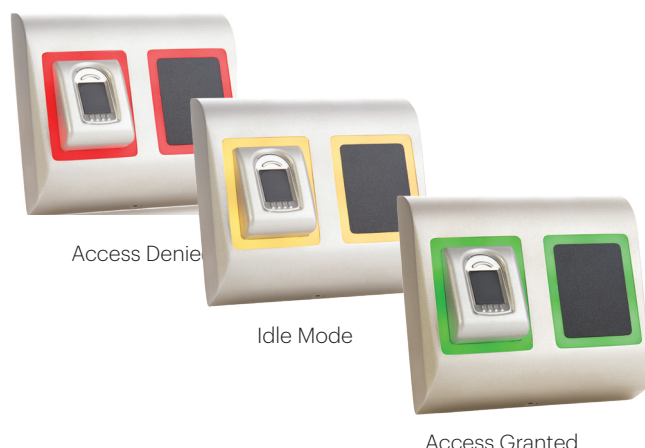
- Biomanager CS, client-server based software package for solutions without additional development
- CNV1000, TCP/RS-485 communication converter for connection between software and readers



INTERNAL AND EXTERNAL USE

## FEATURES

- Surface Mount fingerprint reader with RFID integrated (EM and HID 125 kHz compatible)
- Compatible with any Wiegand controller
- SteelCoat protective coating provides added protection of fingerprint sensor for rugged environments.
- Authentication: Finger only, Finger and card, Finger or card
- Storage capacity: 9500 Fingerprints
- 1:1000 identification: 1 s
- Green and Red LED: Externally controlled
- Configuring and template management by software
- Fingerprint enrolment by a desktop reader or the reader itself
- Adjustable Wiegand protocol (1 to 128 bit) is utilized in the biometry reader which makes it compatible with controllers with Wiegand interface
- Wiegand Protocol adjustment done through PC
- Programmable Backlight ON/OFF
- Separate BioManager CS Software available free of charge when used with third-party controllers
- Fingerprints stored in the reader and backup copy kept in the software
- Compatibility with XPR Control Panels: EWS
- Power Supply: 12 V DC
- Consumption: 120 mA max.
- IP rating: IP65
- Operating Temperature: -15°C to +50°C
- Weight: ~500 g



## ACCESSORIES



### MCD-MINI

Protection cover in A304 brushed steel for double Mini range reader.

**Compulsory protection for external use.**

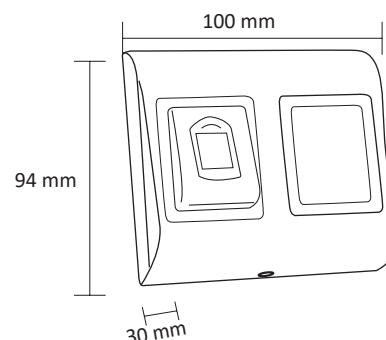
## FOBS & CARDS

EM  
Fobs & Cards

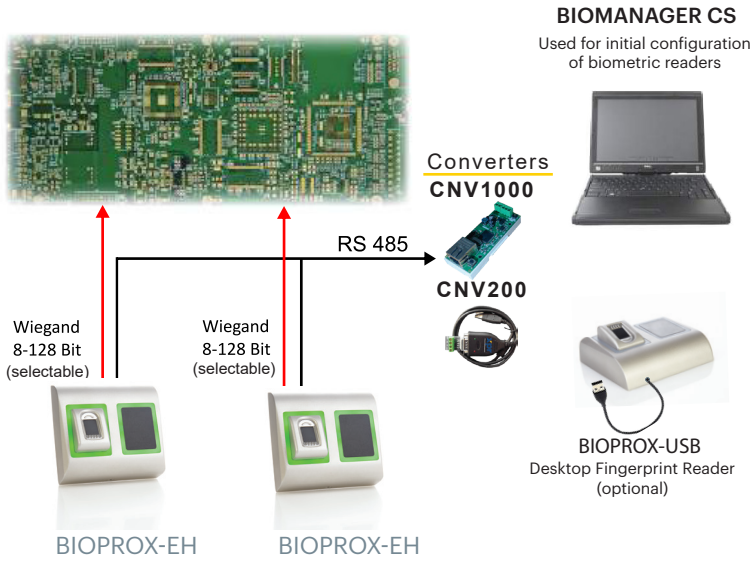


Ref.	PBX-1E	PBX-1C	PBX-2	PBX-2C
Features	ABS Keyfob EM4100	Leather Keyfob EM4100	0.75 mm ISO Card - EM4100	2 mm NISO Card - EM4100

## DIMENSIONS



## THIRD-PARTY CONTROLLER - ARCHITECTURE



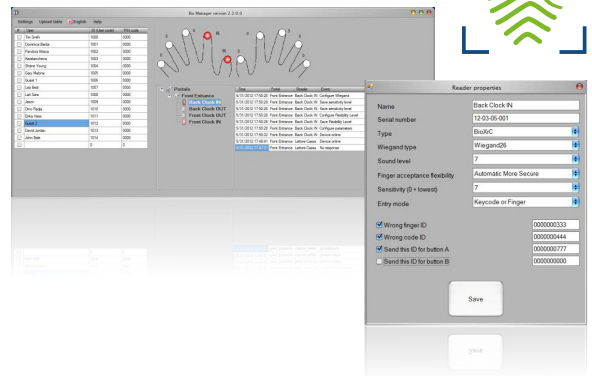
- › Enrolment can be done from any biometric reader in the network or from the Desktop USB Enrolment Unit.
- › Finger templates can be sent to all readers in the network. Different Users can be sent to different Fingerprint Readers.

## COLOURS

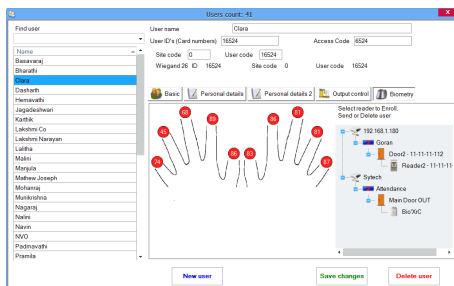
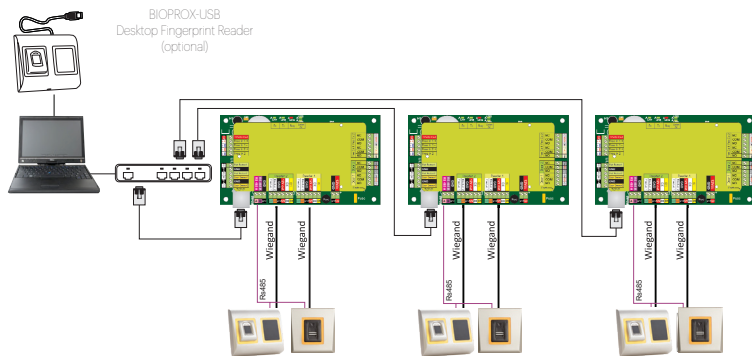


## BIOMANAGER CS SOFTWARE

- › Windows-based PC Software
- › Free Fingerprint Management Software for XPR Biometric Readers



## EWS CONTROLLER ARCHITECTURE



## PROS CS SOFTWARE

- Client-Server Software that allows multiple users to connect to the server PC.
- User-Friendly Windows Interface for simple programming, management and control of installations.

More info about the software on:  
<http://www.xprgroup.com/products/pros-cs/>



All product specifications are subject to change without notice.