

▼ B100

NETWORKED BIOMETRIC READER WITH WIEGAND OUTPUT

B100 is a Wiegand biometric reader for access control applications. It offers storage up to 100 fingerprints and programmable Wiegand Output (8 to 128 bits). Configuration of the readers and fingerprint enrolment is done through PC Software.

Connection between the biometric readers and management software is RS-485 and it is used for fingerprint transfer and configuration. Management of the reader is integrated in our access control software PROS CS.

For integration with other systems, we provide:

- Biomanager CS, client-server based software package for solutions without additional development
- CNV1000, TCP/RS-485 communication converter for connection between software and readers



bx Black Edition

Product available in Black ABS

FEATURES

- Surface mount fingerprint reader with capacitive swipe sensor
- Compatible with most of the Wiegand controllers
- SteelCoat protective coating provides added protection of fingerprint sensor for rugged environments
- Matching time: < 2 s
- Storage capacity: 100 Fingerprints
- New elegant aluminium housing in silver
- Configuration and user management is done with software
- Image resolution: Up to 508 dpi
- Enrolment can be done from Desktop Reader (B100PROX-USB) or the reader itself
- Adjustable Wiegand protocol (8 to 128-bit) is utilized in the biometric reader, which makes it compatible with controllers with Wiegand interface
- Green and Red LED: Externally controlled
- Wiegand Protocol adjustment done through PC
- Separate BioManager CS software available free of charge when used with third- party controllers
- Fingerprints stored in the reader and backup copy kept in the software
- Compatibility with XPR Control Panels: EWS, EWS-DR
- Programmable backlight ON/OFF
- Power Supply: 12 V DC
- Consumption: 100 mA max.
- Operating temperature: 0°C to +50°C
- Weight: 200 g
- IP rating: IP54 (internal use only)

LEDs



ACCESS DENIED

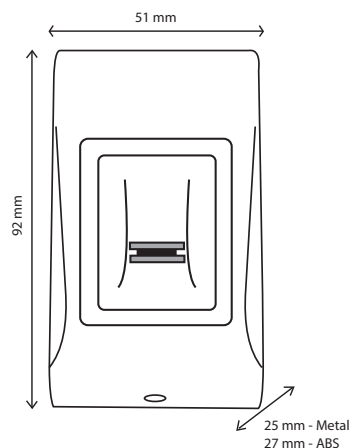


IDLE MODE

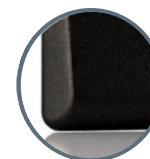


ACCESS GRANTED

DIMENSIONS

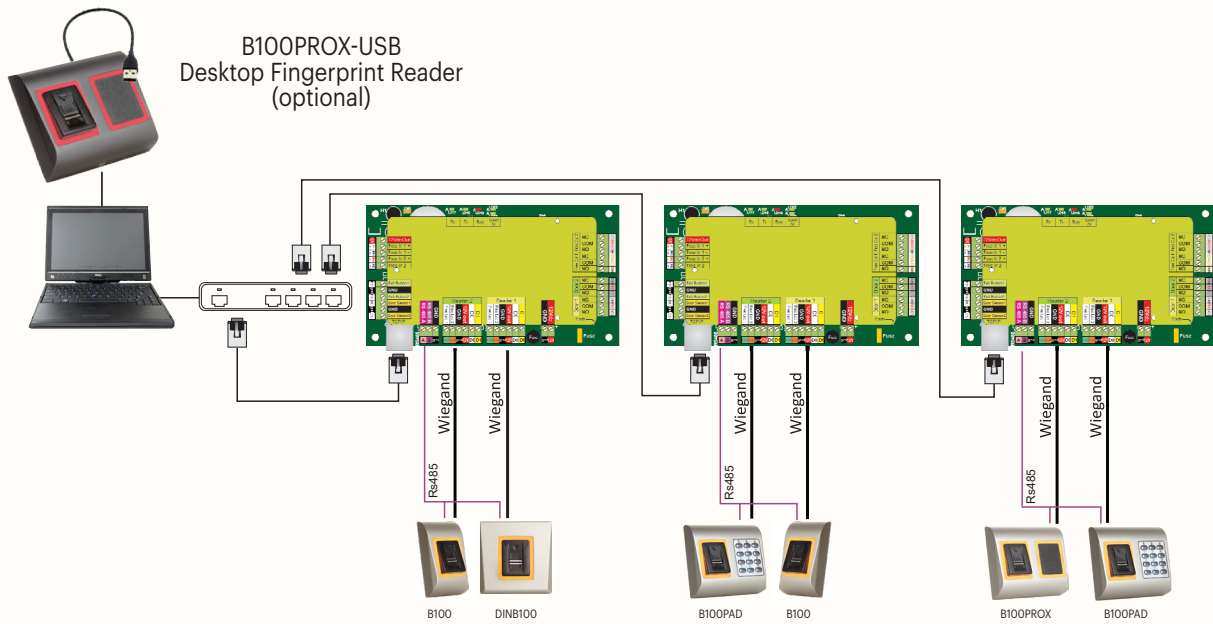


B100S
Silver - Metal



B100BK
Black - ABS

EWSI CONTROLLER ARCHITECTURE

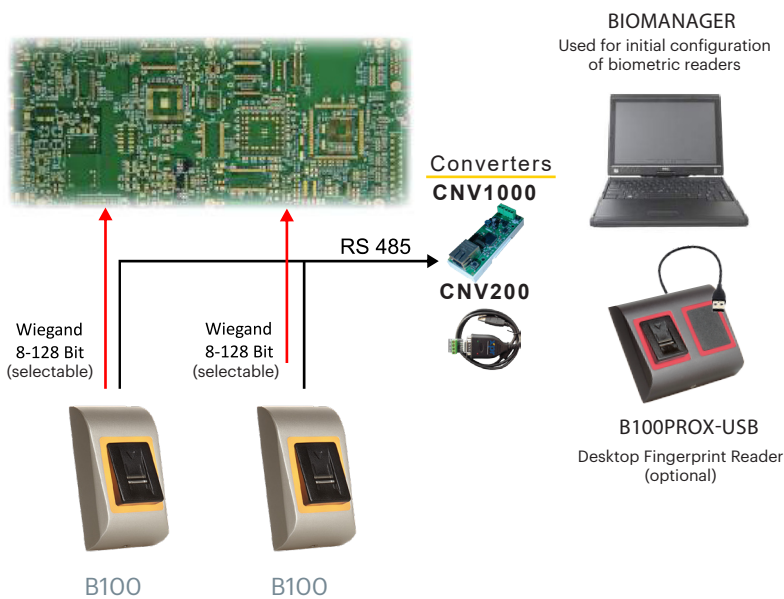


PROS CS SOFTWARE

Client Server Access Control Management Software for the EWSI Network controller system. This software enables multiple clients to connect to the system locally or remotely.



THIRD PARTY-CONTROLLER ARCHITECTURE



► Enrolment can be done from any biometric reader in the network or from Desktop USB Enrollment Unit.

► Finger templates can be sent to all readers in the network. Different Users can be sent to different Fingerprint Readers.

BIOMANAGER CS SOFTWARE

► Windows-based PC Software

► Free Fingerprint Management Software for XPR Biometric Readers

