

# PADPROX-MF

MULTI-PROTOCOL KEYPAD READER WITH  
MIFARE READER



INTERNAL AND EXTERNAL USE

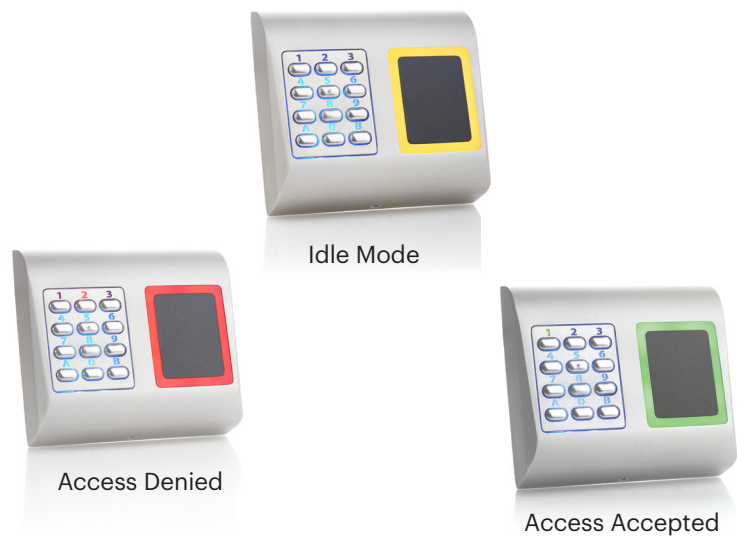


**bx** Black Edition  
Product available in Black ABS

## FEATURES

- Surface Mount keypad with integrated Mifare reader
- Housing: ABS
- Authentication: Card, PIN Code, Card or/and PIN Code
- RFID reading type: Mifare Classic 1K & 4K, Ultralight, Desfire
- Wiegand 24, 26, 30, 32, 34, 35, 37, 40, 42, 56, 58, 4/6/8 bit burst for key; Clock & Data, Codix
- PIN Code Length: 1 to 8 digits
- Reading distance: Up to 3 cm
- Backlight control - Red, Green, Orange controlled by master device
- Buzzer: Yes
- Tamper: Yes
- Compatibility with XPR Controllers: EWS, SC24000
- Power Supply: 9-14 V DC
- Consumption: 150 mA max.
- IP rating: IP65
- Operating Temperature: -20°C to +50°C, (non-condensing)

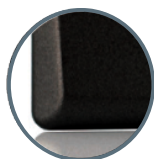
## LEDs STATUS



## VERSIONS

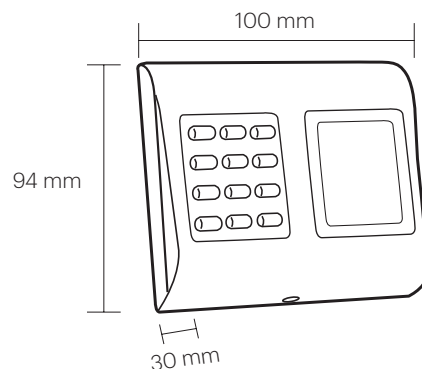


PADPROXS-MF  
Silver - ABS

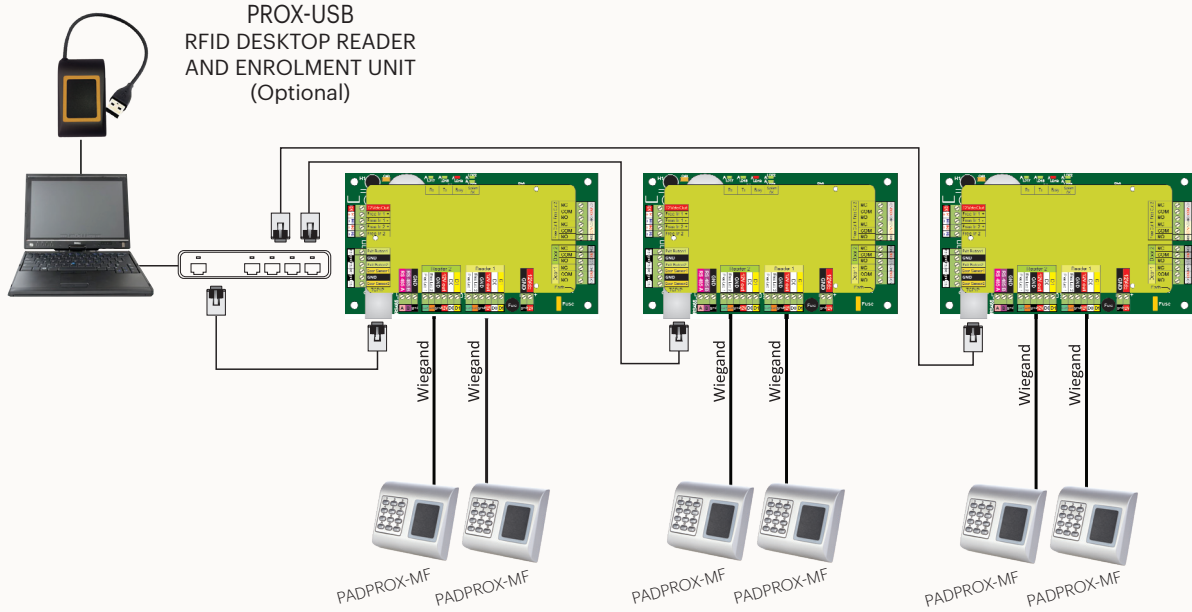


PADPROXBK-MF  
Black- ABS

## DIMENSIONS



## — EWSI CONTROLLER - ARCHITECTURE —



## — PROS CS SOFTWARE —

- Client-Server Software that allows multiple users to connect to the server PC.
- User-Friendly Windows Interface for simple programming, management and control of installations.



More info about the software on:  
<http://www.xprgroup.com/products/pros-cs/>

## — FOBS & CARDS —



Ref.	PBX-1E-MS50	PBX-2-MS50	PBX-2C-MS50
Features	ABS Keyfob 13.56 MHz	0.75 mm ISO Card - 13.56 MHz	2 mm NISO Card - 13.56 MHz

All product specifications are subject to change without notice.