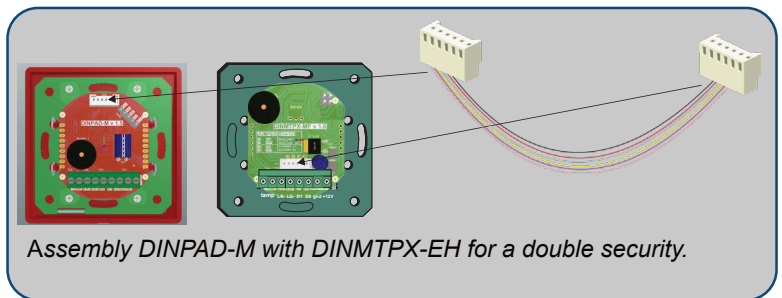
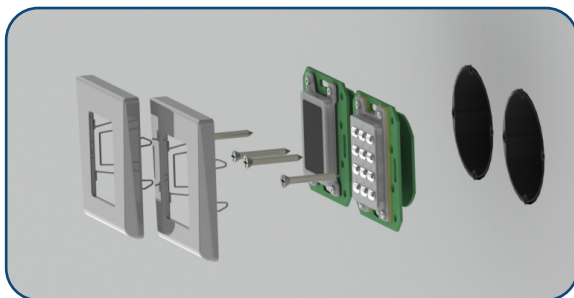


DINPAD-M

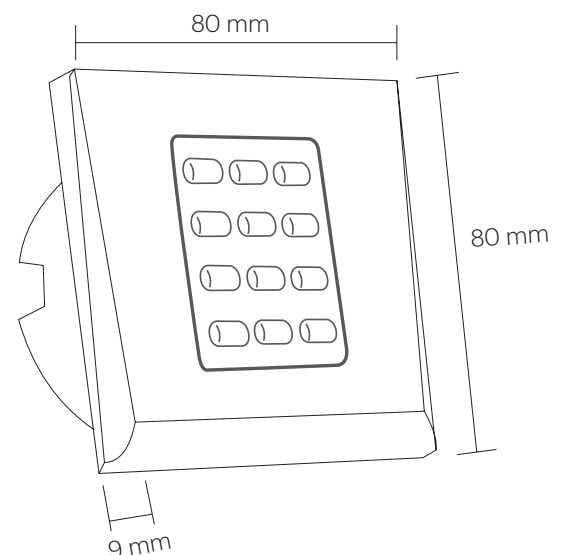
FLUSH MOUNT MULTIPROTOCOL KEYPAD

FEATURES

- Multi-protocol peripheral keypad
- Compatible with WIEGAND 26, 30, 34, 40 bit, Clock & Data or Codix.
- Backlit keys
- Selectable PIN Code length
- 2 externally controlled LEDs (Red & Green)
- Audible and visual feedback
- Current Consumption: 70 mA
- Operates on 12 V DC
- Operating Temperature: -20°C to +50°C
- Can be connected to DINMTPX-M reader for double security reader (Card and/or PIN Code) or DINB100 (Finger and/or PIN Code)
- IP rating: IP40
- Weight: ~200 g



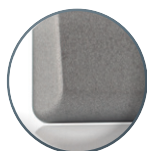
DIMENSIONS



COLOURS



DINPADS-M
Silver



DINPADC-M
Charcoal



DINPADW-M
White